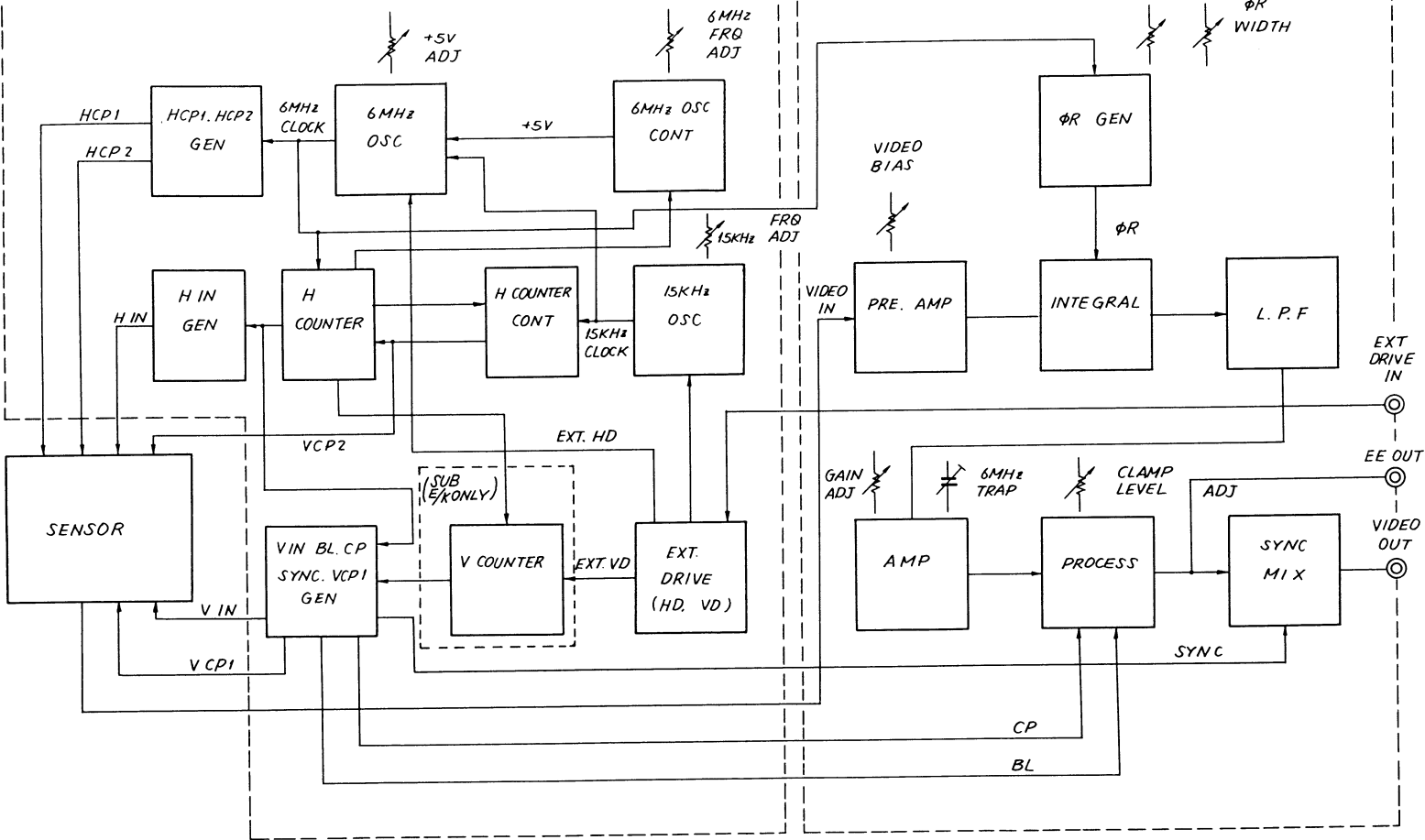
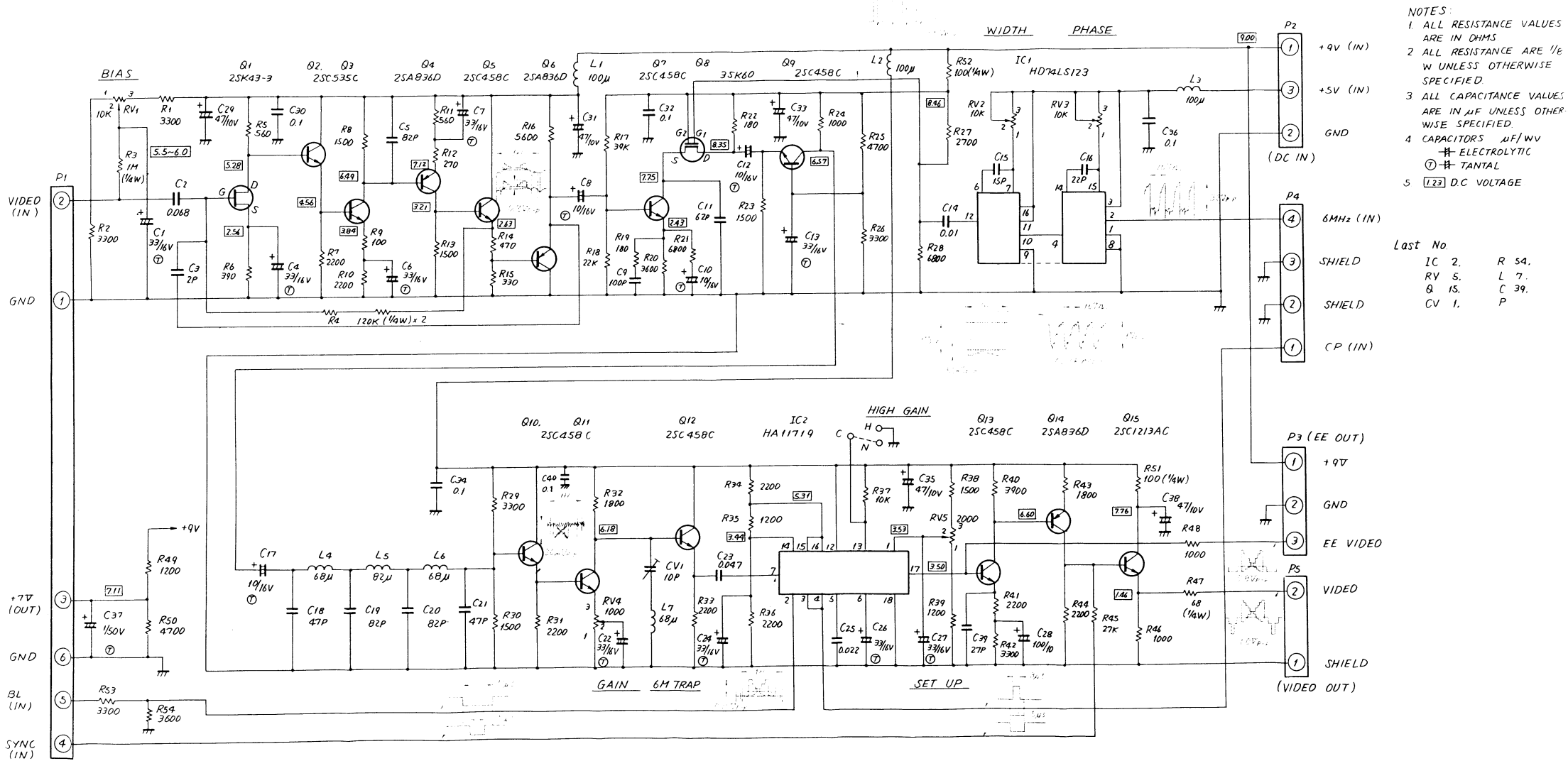


CHASSIS

DRIVE UNIT

VIDEO UNIT

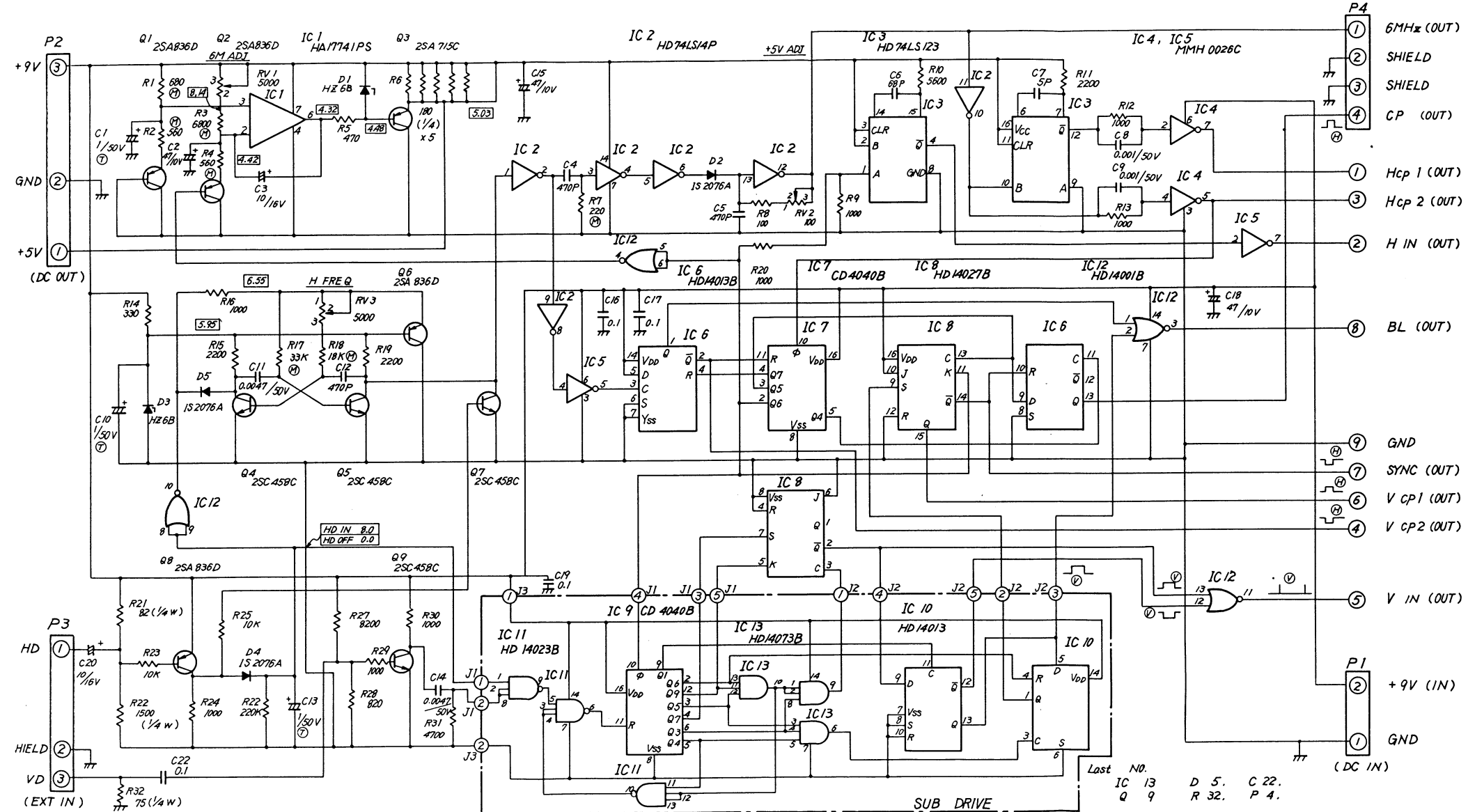




- NOTES:
- 1 ALL RESISTANCE VALUES ARE IN OHMS
  - 2 ALL RESISTANCE ARE  $\frac{1}{6}$  W UNLESS OTHERWISE SPECIFIED
  - 3 ALL CAPACITANCE VALUES ARE IN  $\mu$ F UNLESS OTHERWISE SPECIFIED
  - 4 CAPACITORS  $\mu$ F/WV  
 - ELECTROLYTIC  
 - TANTAL
  - 5 [123] D.C VOLTAGE

Last No.

IC 2.	R 54.
RV 5.	L 7.
Q 15.	C 39.
CV 1.	P



Last NO. IC 13 Q 9  
 D 5. C 22.  
 R 32. P 4.

DRIVE PCB (E/K CCIR) SCHEMATIC DIAG